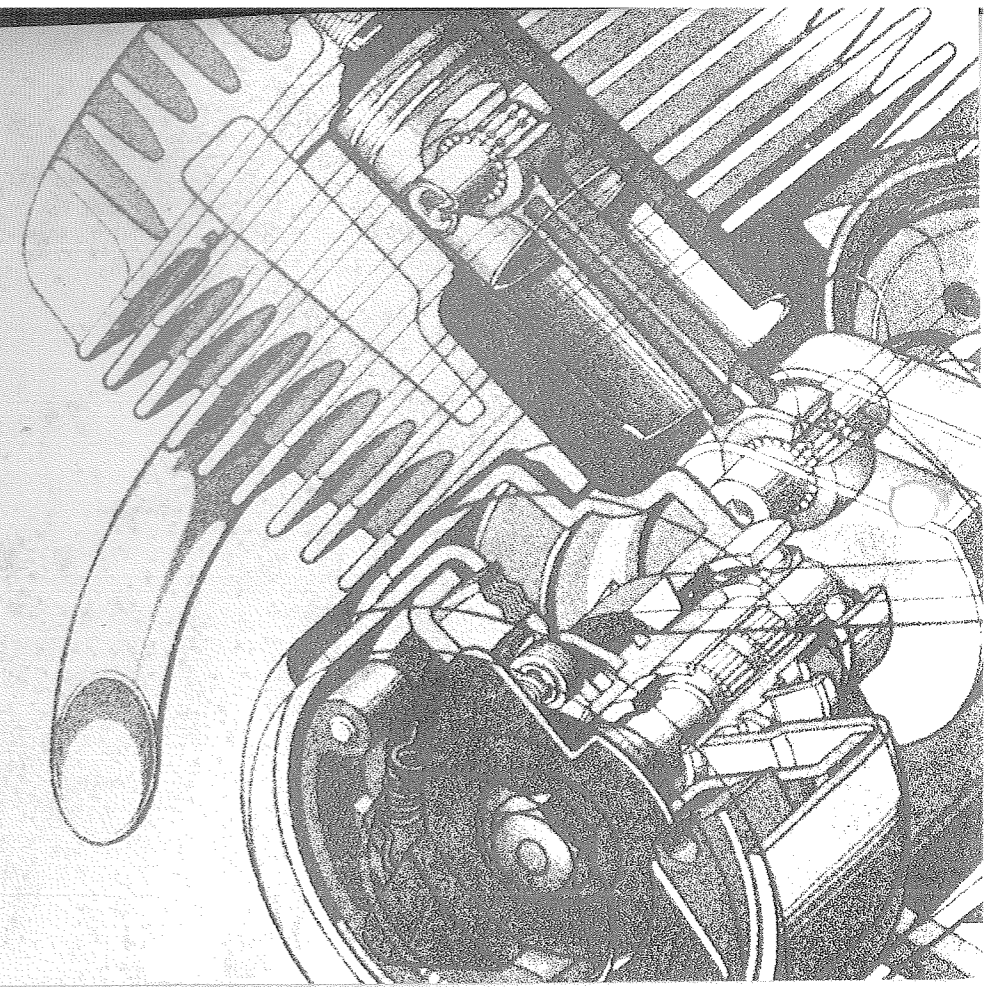


Odyssey

Your way to go

Parts Manual
First Edition
April 1977



Parts Manual . . . Introduction

Servicing your ODYSSEY should be almost as easy as riding it. This manual, used in conjunction with your Owner's Manual, will make simple servicing and parts replacement an easy task.

This manual provides detailed exploded diagrams of each functional area of your ODYSSEY . . . with each part itemized by number. The table next to each illustration contains Item Number, Part Description, ODYSSEY models on which the part is used, and Part Numbers. (Please provide complete part number in any communication).

A Parts Number cross-index, organized sequentially, can be found on the last few pages of the manual. If you are starting with a specific part number, it will refer you to the correct illustration and illustration item number.

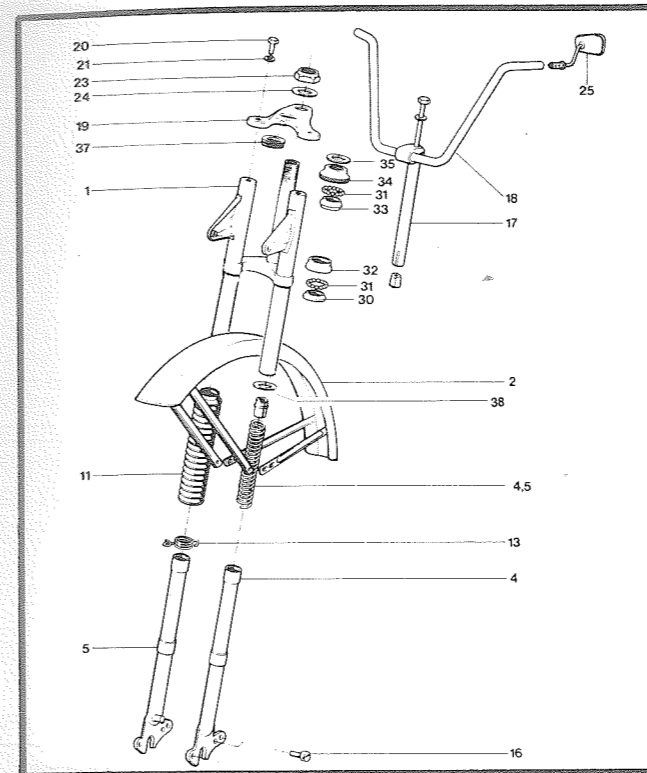
After identifying the part you need, contact your ODYSSEY dealer. ODYSSEY parts are stocked by your dealer, ODYSSEY regional distributor, and by the main parts warehouse, Newport News, Virginia.

The ODYSSEY Company
Mill Pond Center
Cos Cob, Conn. 06807

Contents

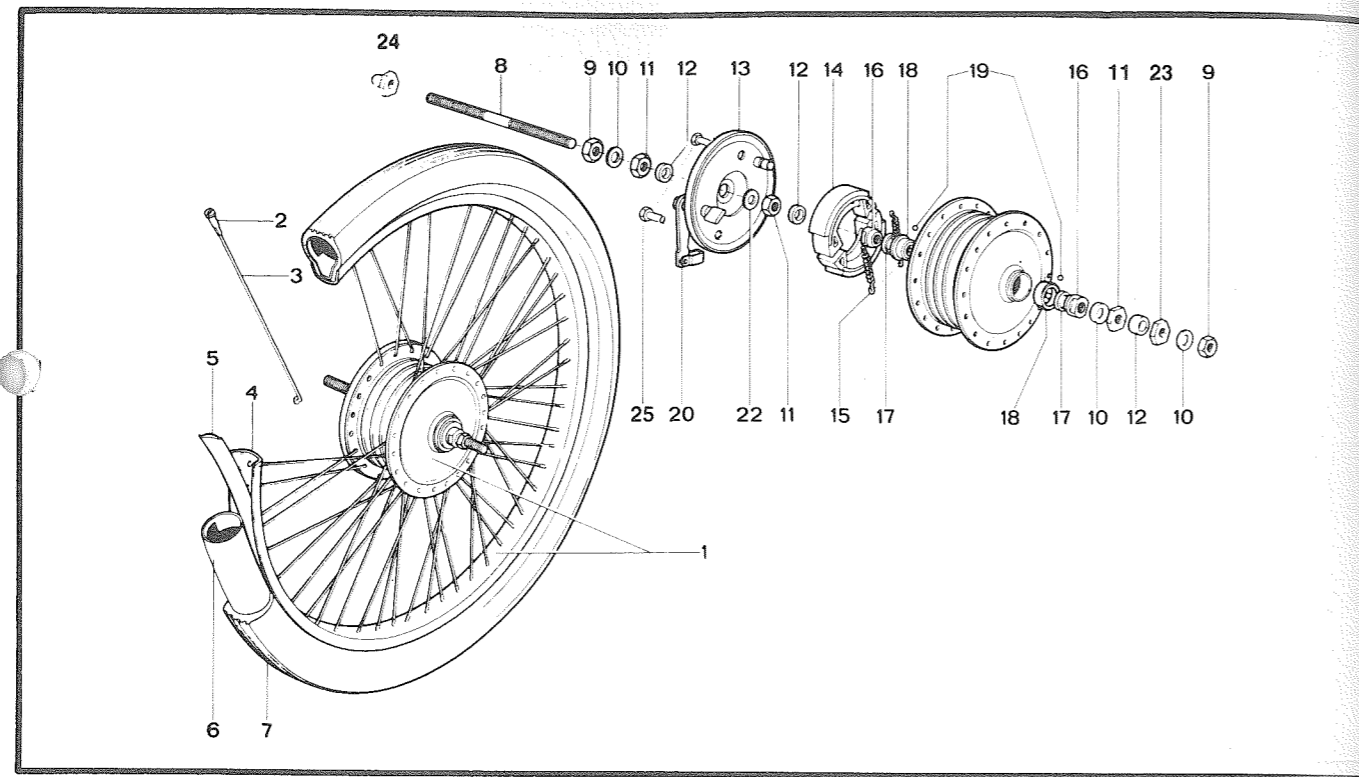
- Front Fork 3
- Front Wheel 4
- Rear Wheel with Power Drive 6
- Controls and Cables
 - Regular Transmission 8
 - Two Gear Automatic Transmission 10
- Engine Bracket – Regular Transmission 12
- Two Gear Automatic Transmission 14
- Frame – Tank – Muffler – Carrier 16
- Engine Crankcase 18
- Crankshaft – Piston – Cylinder 20
- Disk Clutch 22
- Automatic Starter Clutch 24
- Ignition System 26
- Carburetor 27
- Accessories – Supplies – Special Tools 28
- Part Number Cross Index 29

Front Fork



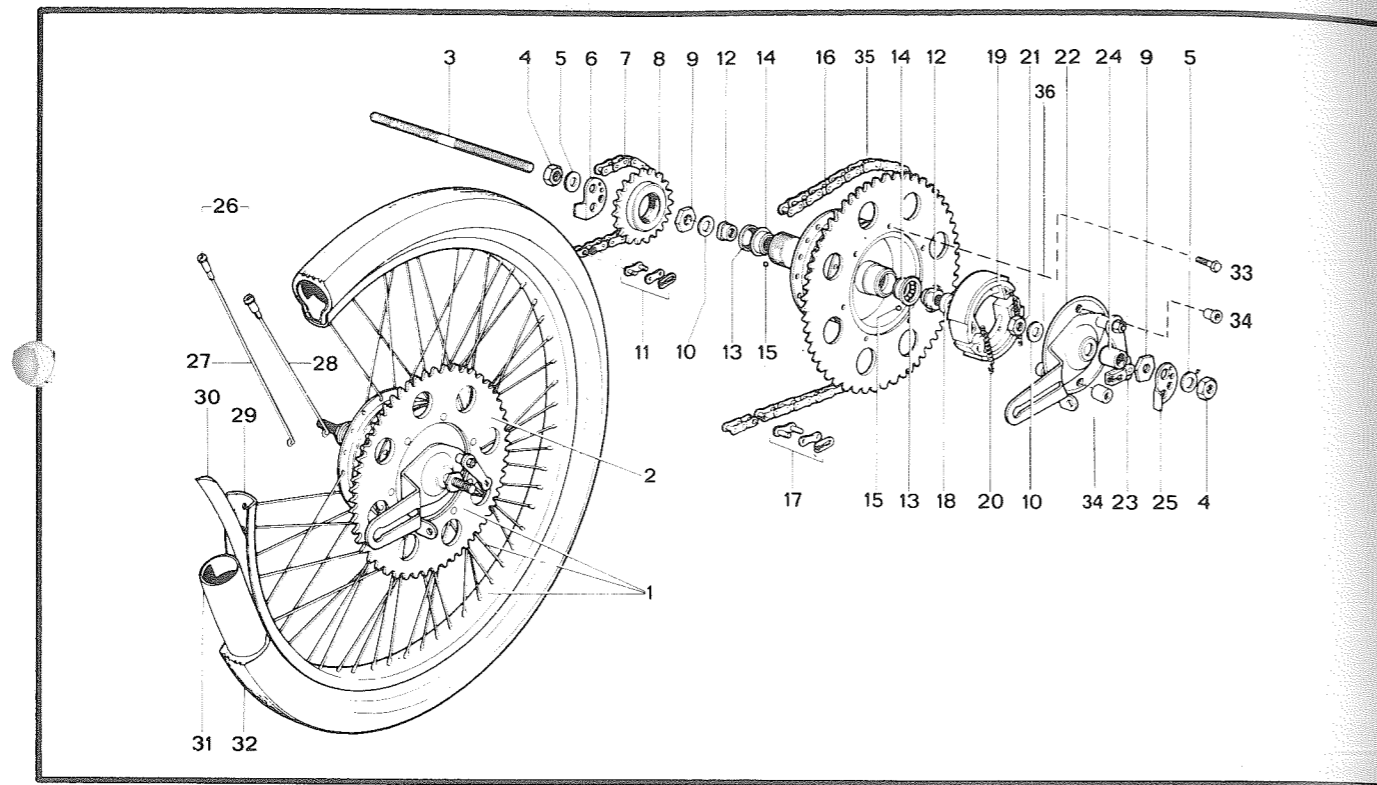
Item No.	Description	Models	Part No.
1	Front wheel fork complete	All	73 00 502
2	Front wheel fender	All	73 00 331
4	Guide tube assembly with spring LH	All	73 00 328
5	Guide tube assembly with spring RH	All	73 00 329
11	Bellows	All	70 65 165
13	Locking coil	All	00 70 210
17	Handle bar rod complete (21mm od)	All	70 35 596
18	Handle bar bow	All	70 35 574
19	Upper fork yoke	All	70 43 746
20	Hex. screw M8 x 16	All	00 12 130
21	Washer 8.4	All	00 30 109
22	Hex. nut	All	00 21 17
23	Washer 26 x 37 x 0.5	All	00 31 29
24	Rear-view mirror	All	79 00 107
25	Lower core ring	All	70 45 372
30	Ball bearing ring	All	00 51 103
31	Lower bearing cap	All	70 45 373
32	Upper core ring	All	70 45 374
33	Upper bearing cap	All	70 45 375
34	Washer 26 x 32.5 x 3	All	00 31 274
35	Cable grommet	All	00 66 286
37	Washer (if required)	All	00 30 128
38			

Front Wheel



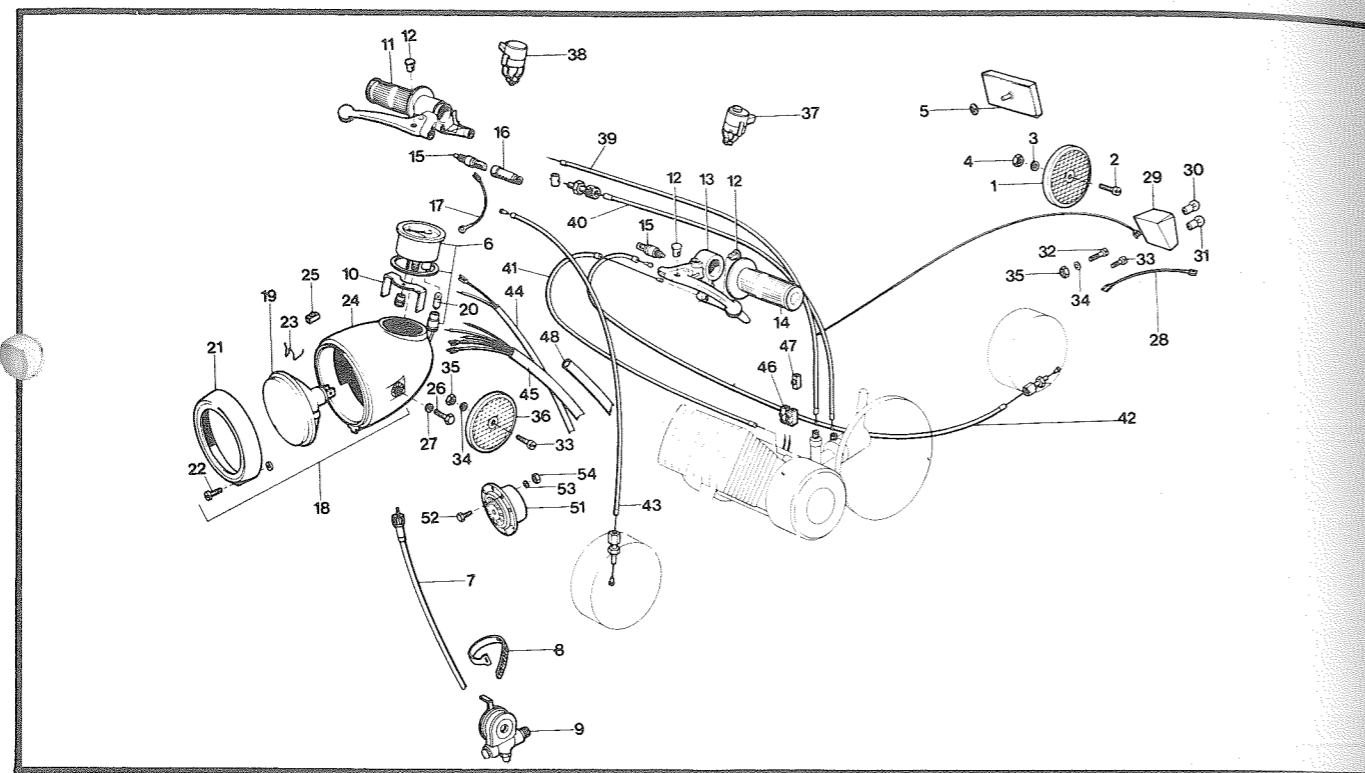
Item No.	Description	Models	Part No.
1	Front wheel complete 16, without tire	All	73 00 510
1	Front wheel complete 16, with tire	All	73 00 509
2	Brass nipple 2.34/5.5mm	All	00 93 103
3	Spoke 158mm 2.63od	All	00 93 112
4	Rim 1.20 x 16	All	00 91 108
5	Rim tape 20 - 22/21	All	00 92 114
6	Inner tube 2 1/4 - 16	All	00 92 131
7	Tire 2 1/4 - 16 (DOT)	All	00 92 133
8	Axle 7/16 x 150	All	70 32 398
9	Hex. nut M11 x 1	All	00 20 165
10	Washer 11.5 x 23 x 2	All	00 31 273
11	Hex. nut 7/16 SW17	All	00 21 195
12	Spacer 12 x 16 x 3	All	05 52 199
13	Brake hub	All	73 00 511
14	Brake shoe	All	73 00 324
15	Brake shoe retaining spring	All	00 71 164
16	Cone	All	70 32 397
17	Ring outer 2.75od	All	70 45 435
18	Bearing cup outer 32od	All	70 45 433
19	Ball 1/4 (20 per bearing)	All	00 52 119
20	Brake lever complete	All	05 52 220
22	Spacing washer 11 x 20 x 0.5	All	00 31 320
23	Hex. nut	All	00 21 194
24	Protecting cap	All	70 74 669
25	Plug	All	70 63 228

Rear Wheel with Power Drive

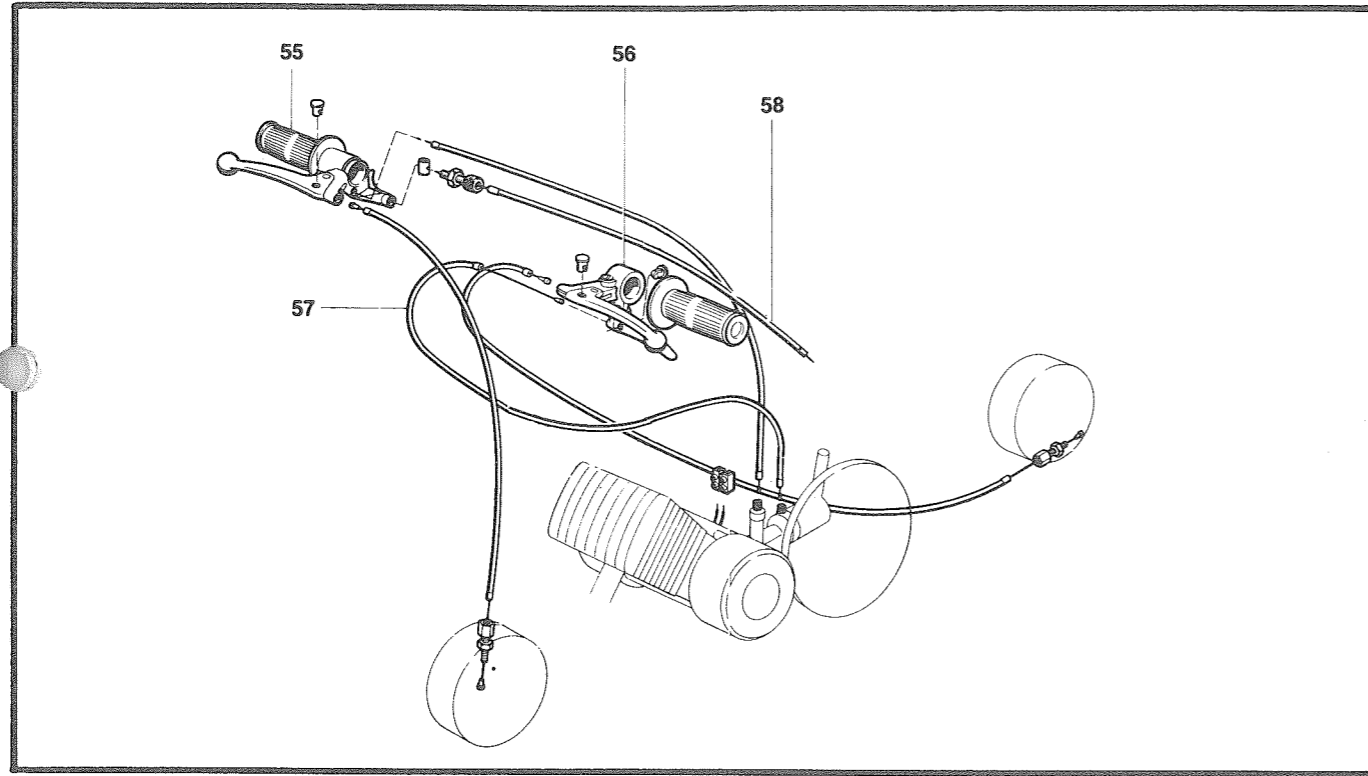


Item No.	Description	Models	Part No.			
1	Rear wheel complete 16, without tire (53 tooth sprocket)	32/1-R 32/1-2 40/1-R 40/1-2	73 00 513	15	Ball 7/32 (22 per bearing)	All 00 52 134
				16	Drive chain 1/2 x 3/16 (98 links)	32/1-R 73 00 173 32/1-2 40/2-R 40/2-2
1	Rear wheel complete 16, without tire (50 tooth sprocket)	40/2-R 40/2-2	73 00 544	16	Drive chain 1/2 x 3/16 (99 links)	40/1-R 73 00 353 40/1-2
1	Rear wheel complete 16, with tire (53 tooth sprocket)	32/1-R 32/1-2 40/1-R 40/1-2	73 00 512	17	Chain lock complete 1/2 x 3/16	All 73 00 156
1	Rear wheel complete 16, with tire (50 tooth sprocket)	40/2-R 40/2-1	73 00 545	18	Spacer ring 12 x 16 x 3	All 05 52 199
2	Broke hub with sprocket (53 tooth)	32/1-R 32/1-2 40/1-R 40/1-2	73 00 514	19	Brake shoe	All 73 00 324
				20	Brake shoe retraining spring	All 00 71 164
				21	Hex. nut 7/16 SW17	All 00 21 195
				22	Brake tie plate complete	All 73 00 322
				23	Brake lever complete	All 05 52 207
					Brake lever	All 70 43 716
					Rivet	All 00 44 191
					Bracket	All 70 43 621
2	Broke hub with sprocket (50 tooth)	40/2-R 40/2-2	73 00 543	24	Spacer ring 12 x 16 x 12	All 70 31 621
3	Axle 7/16 x 185	All	70 32 399	25	Eccentric tensioner LH	All 70 43 573
4	Hex. nut M11 x 1	All	00 20 165	26	Brass nipple 2.34/5.5mm	All 00 93 103
5	Washer 11.5 x 23 x 2	All	00 31 273	27	Spoke 158mm 2.63od	All 00 93 112
6	Eccentric chain tensioner RH	All	70 43 576	28	Spoke 152mm 2.63od	All 00 93 111
7	Pedal chain 1/2 x 1/8 (91 links)	32/1-R 32/1-2 40/2-R 40/2-2	73 00 484	29	Rim 1.20 x 16	All 00 91 108
				30	Rim tape 20 - 22/21	All 00 92 114
				31	Inner tube 2 1/4 - 16	All 00 92 131
				32	Tire 2 1/4 - 16 (DOT)	All 00 92 133
				33	Hex. screw M6 x 16	All 00 12 175
				34	Plug	All 70 63 228
				35	Sprocket (53 tooth)	32/1-R 70 38 314 32/1-2 40/1-R
8	Freewheel assembly with sprocket (20 tooth)	All	73 00 135			
9	Hex. nut 7/16 SW24	All	00 21 194			
10	Spacing washer 11 x 20 x 0.5	All	00 31 320	35	Sprocket (50 tooth)	40/1-2 70 38 296 40/2-R
11	Chain lock complete 1/2 x 1/8	All	73 00 157			
12	Core	All	70 32 397			
13	Ring outer 26od	All	70 45 436	36	Spacer 12 x 16 x 2.5	All 05 52 201
14	Bearing cup outer 30od	All	70 45 434			

Controls and Cables — Regular Transmission

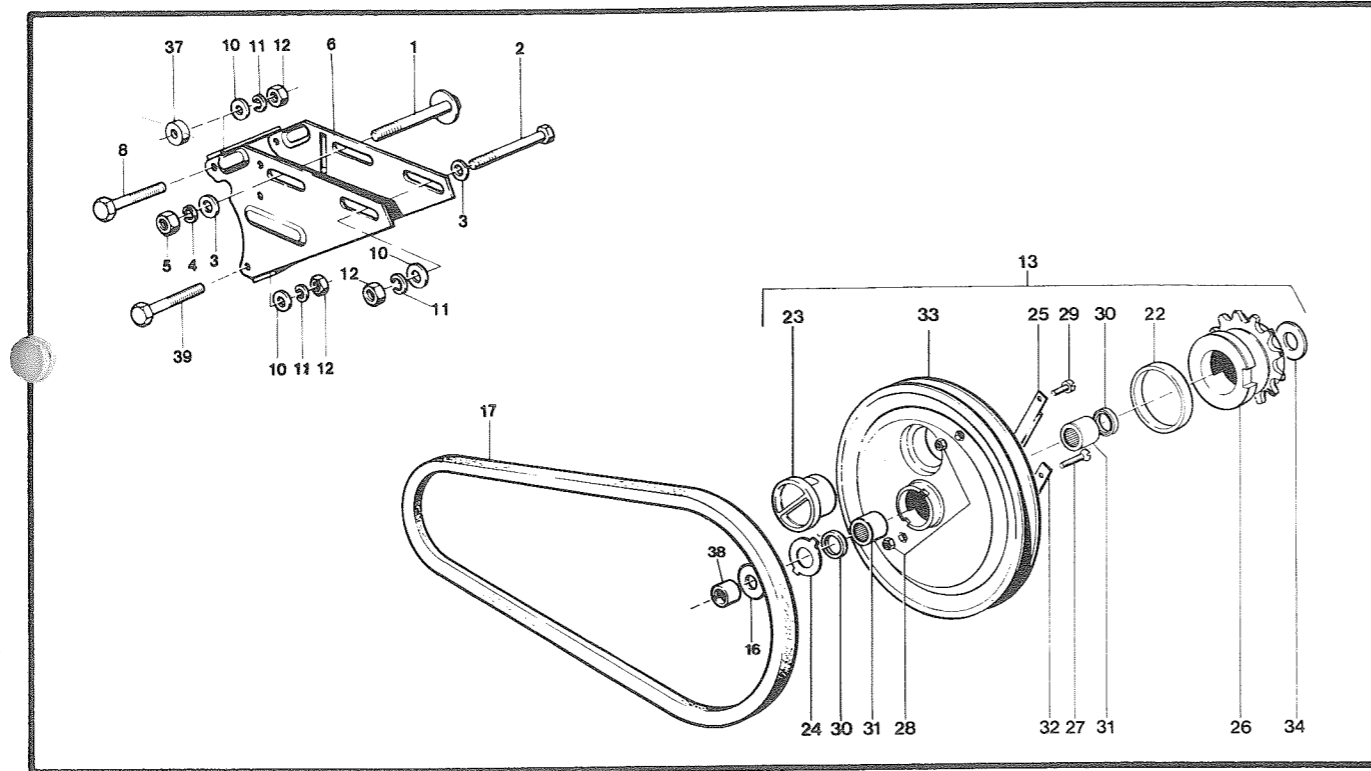


Item No.	Description	Models	Part No.				
1	Side reflector red	All	00 84 362	29	Tail-brake light complete	All	79 00 209
2	F.H. screw AM6 x 16	All	00 10 143		5W/10W		
3	Washer A 6.4	All	00 30 125	30	Taillight bulb 6V/5W	All	00 84 365
4	Hex. nut M6	All	00 28 111	31	Brakelight bulb 6V/10W	All	00 84 366
5	Rear reflector red	All	00 84 371	32	F.H. screw M6 x 30	All	00 10 221
6	Speedometer 0-45 MPH	All	79 00 214	33	F.H. screw AM6 x 16	All	00 10 143
7	Speedometer cable	All	79 00 215	34	Washer 6.4	All	00 30 100
8	Tape	All	00 66 203	35	Hex. nut M6	All	00 28 111
9	Speedometer drive	All	79 00 105	36	Side reflector yellow	All	00 84 368
10	Bracket	All	70 23 343	37	Light/horn switch	All	00 84 369
11	Throttle control complete	32/1-R 40/1-R 40/2-R	78 00 144	38	Engine ON-OFF switch	All	00 84 370
12	Cable anchor pin	All	00 66 231	39	Throttle cable	All	28 00 197
13	Brake and clutch control complete	32/1-R 40/1-R 40/2-R	78 00 157	40	Choke cable	32/1-R	28 00 198
14	Twist grip	All	00 94 173	41	Clutch cable	40/1-R 40/2-R	38 00 222
15	Brake light switch	All	79 00 207	42	Rear brake cable	All	73 00 186
16	Cover — brake light switch	All	00 66 297	43	Front brake cable	All	73 00 186
17	Ground cable (brake light switch)	All	00 84 363	44	Wiring harness front complete	All	79 00 211
18	Headlight complete 6V/20W	All	79 00 208	45	Wiring harness rear complete	All	79 00 212
19	Sealed beam headlight 6V/20W	All	00 84 364	46	Cable connector	All	00 84 126
20	Speedometer light bulb 6V/1.5W	All	00 84 373	47	Cable connector	All	00 84 372
21	Headlight ring	All	05 52 253	48	Tubing 6 x 0.5 x 240	All	00 64 280
22	F.H. screw M5-x 16	All	00 10 177	51	Horn 6V/18W	All	79 00 210
23	Clamp spring	All	05 52 254	52	Hex. screw M4 x 12	All	00 12 126
24	Headlight housing	All	05 52 255	53	Spring washer 4	All	00 34 127
25	Cable clamp	All	00 84 372	54	Hex. nut M4	All	00 20 106
26	Hex. screw M6 x 16	All	00 12 172				
27	Spacing washer A6	All	00 34 114				
28	Ground cable (taillight)	All	00 84 367				



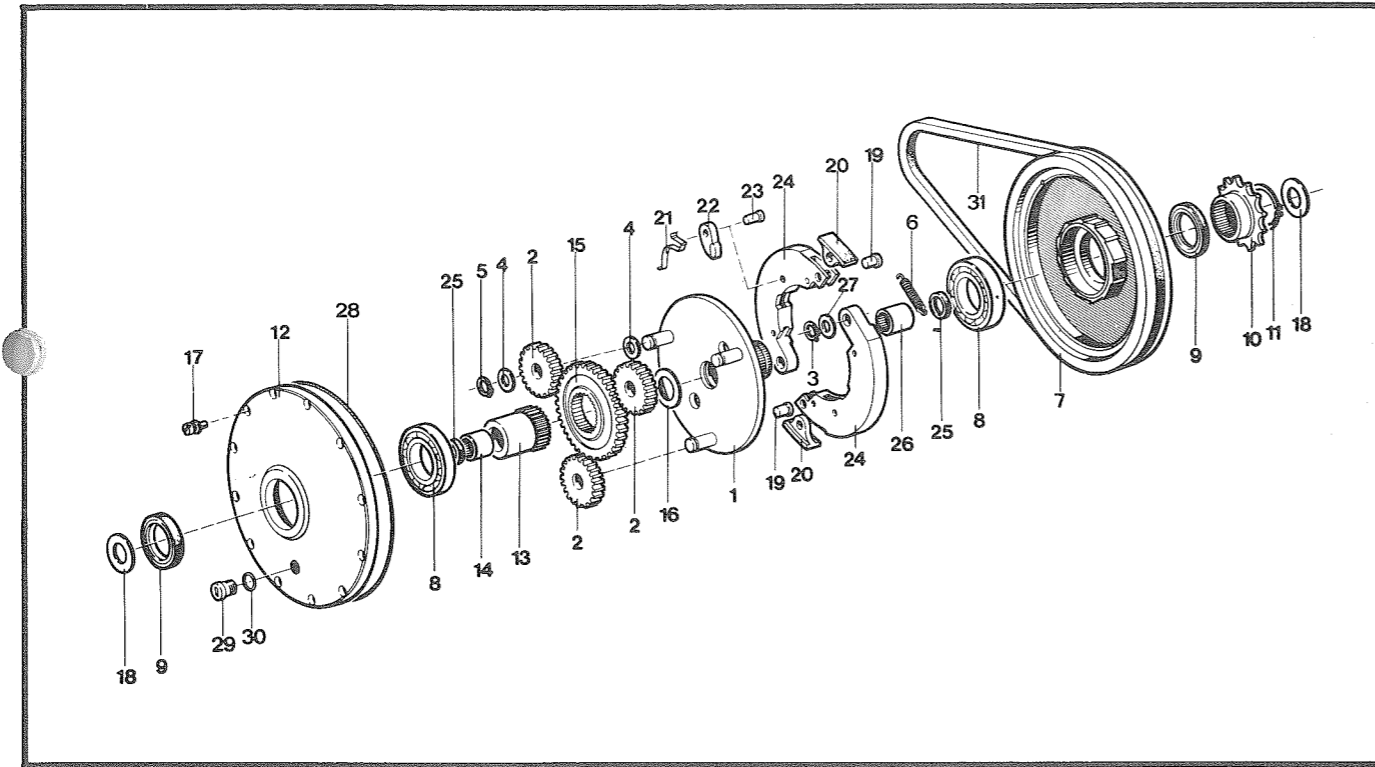
Item No.	Description	Models	Part No.
55	Throttle control complete	} 32/1-2 40/1-2 40/2-2	78 77 158
56	Brake & choke control complete		78 00 145
57	Choke cable		28 00 206
58	Rear wheeling release cable		73 00 516
-	Decal Choke		00 69 311

Engine Bracket — Regular Transmission



Item No.	Description	Models	Part No.			
1	Eccentric screw M8 x 70 complete	All	28 00 165	26	Hub (11 tooth sprocket)	32/1-R 34 00 141
2	Hex. screw M8 x 70	All	00 12 278	26	Hub (14 tooth sprocket)	40/1-R 34 00 146
3	Washer 8.4	All	00 30 109	26	Hub (15 tooth sprocket)	40/2-R 34 00 156
4	Spring washer 8	All	00 34 117	27	Screw M4 x 20	32/1-R 00 13 195
5	Hex. nut M8	All	00 20 109			40/1-R 40/2-R
6	Engine bracket	All	73 00 455	28	Hex. nut M4	32/1-R 00 20 178
8	Hex. screw M6 x 110	All	00 12 301			40/1-R 40/2-R
10	Washer 6.4	All	00 30 100	29	F.H. screw M4 x 12	32/1-R 00 10 108
11	Spring washer A6	All	00 34 114			40/1-R 40/2-R
12	Hex. nut M6	All	00 20 169	30	Ring 16 x 22 x 3	32/1-R 00 61 226
13	V-belt pulley II complete (11 tooth sprocket)	32/1-R	34 00 142			40/1-R 40/2-R
13	V-belt pulley II complete (14 tooth sprocket)	40/1-R	34 00 161	31	Needle bearing HK16 x 22 x 12	32/1-R 00 52 200
13	V-belt pulley II complete (15 tooth sprocket)	40/2-R	34 00 157			40/1-R 40/2-R
16	Shaft washer 16 x 28 x 1	32/1-R 40/1-R 40/2-R	00 31 280	32	Bracket	32/1-R 70 43 725
17	V-belt 10 x 6 x 730	All	00 57 176			40/1-R 40/2-R
22	Collar (11 tooth sprocket)	32/1-R	00 61 240	33	V-pulley II without sprocket	32/1-R 70 73 237
22	Collar (14 tooth sprocket)	40/1-R	00 61 241			40/1-R 40/2-R
22	Collar (15 tooth sprocket)	40/2-R	00 61 265	34	Friction washer	32/1-R 00 31 351
23	Shifting knob	32/1-R 40/1-R 40/2-R	70 74 592			40/1-R 40/2-R
24	Friction washer	32/1-R 40/1-R 40/2-R	00 31 329	37	Spacer	All 70 31 789
25	Activator	32/1-R 40/1-R 40/2-R	35 00 248	38	Spacer	32/1-R 00 33 193
						40/1-R 40/2-R
				39	Hex. screw M6 x 60	All 00 12 154

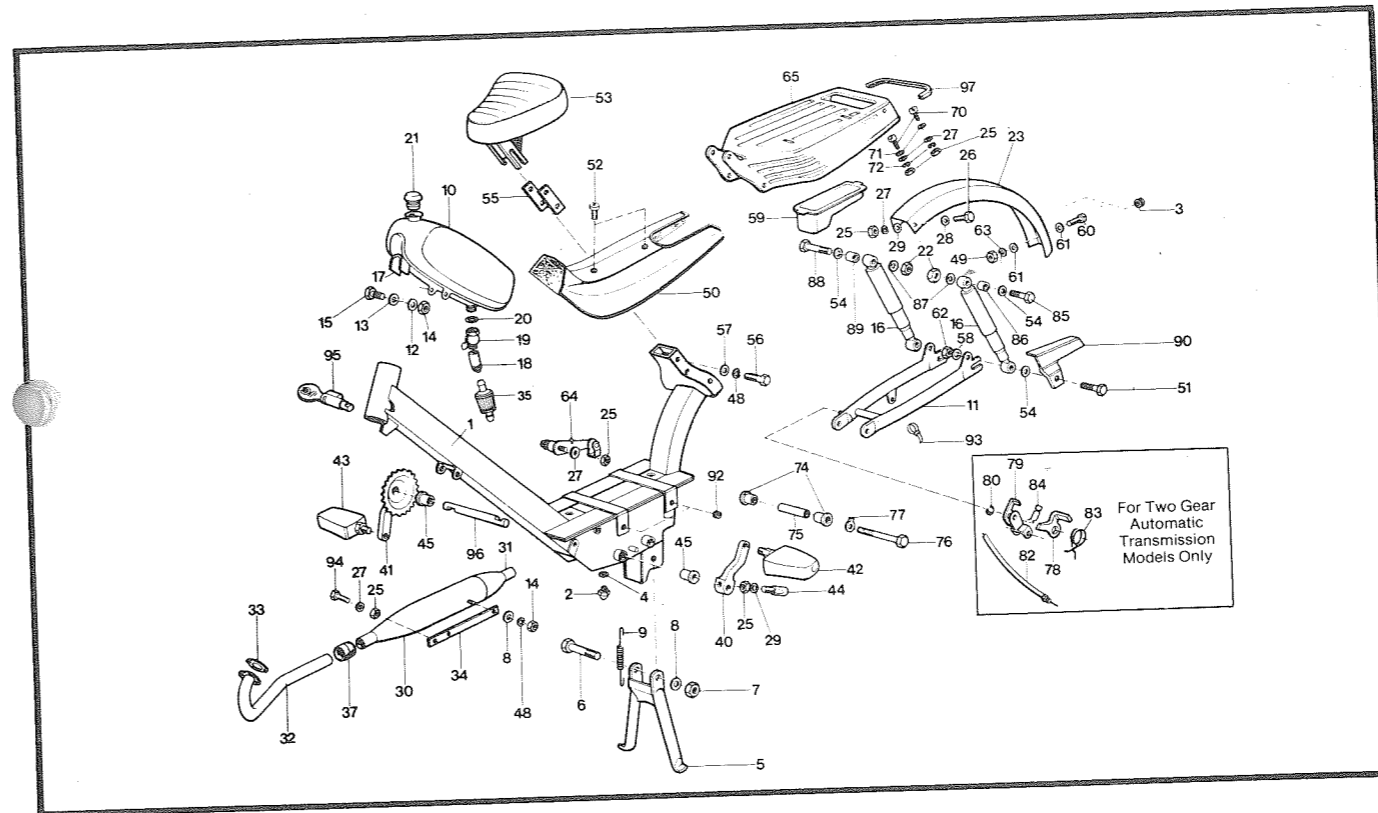
Two Gear Automatic Transmission



Item No.	Description	Models	Part No.
-	Two gear automatic trans transmission complete (includes items 1-9, 12-31)		30 00 170
1	Flange complete		35 00 271
2	Planetary wheel	32/1-2	30 38 304
3	Safety washer 10	40/1-2	00 55 102
4	Friction washer	40/2-2	00 31 226
5	Safety ring 14 x 1		00 55 130
6	Clutch spring		00 71 173
7	Gear case		31 00 178
8	Ball bearing 30 x 55 x 9		00 50 140
9	Shaft seal 30 x 42 x 7		00 54 207
10	Sprocket (11 tooth)	32/1-2	30 38 312
10	Sprocket (14 tooth)	40/1-2	30 38 300
10	Sprocket (15 tooth)	40/2-2	30 38 301

11	Circlip SW30		00 55 159
12	End disk		30 38 311
13	Sun wheel hub		30 38 302
14	Sleeve freewheel		00 52 202
15	Sun wheel		30 38 305
16	Spacing washer		00 31 348
17	F.H. screw		00 10 294
18	Friction washer		00 31 351
19	Bolt		30 31 783
20	Clutch shoe	32/1-2	35 00 280
21	Starter pawl spring	40/1-2	00 73 242
22	Starter pawl	40/2-2	30 74 668
23	Bolt		30 31 769
24	Clutch weight		35 00 270
25	Shaft seal 16 x 22 x 4		00 54 270
26	Needle bearing		00 52 170
27	Washer		00 31 353
28	O-ring 140 x 1.5		00 62 168
29	Plug screw		40 74 239
30	O-ring 9 x 2		00 62 116
31	V-belt 10 x 6 x 730		00 57 176

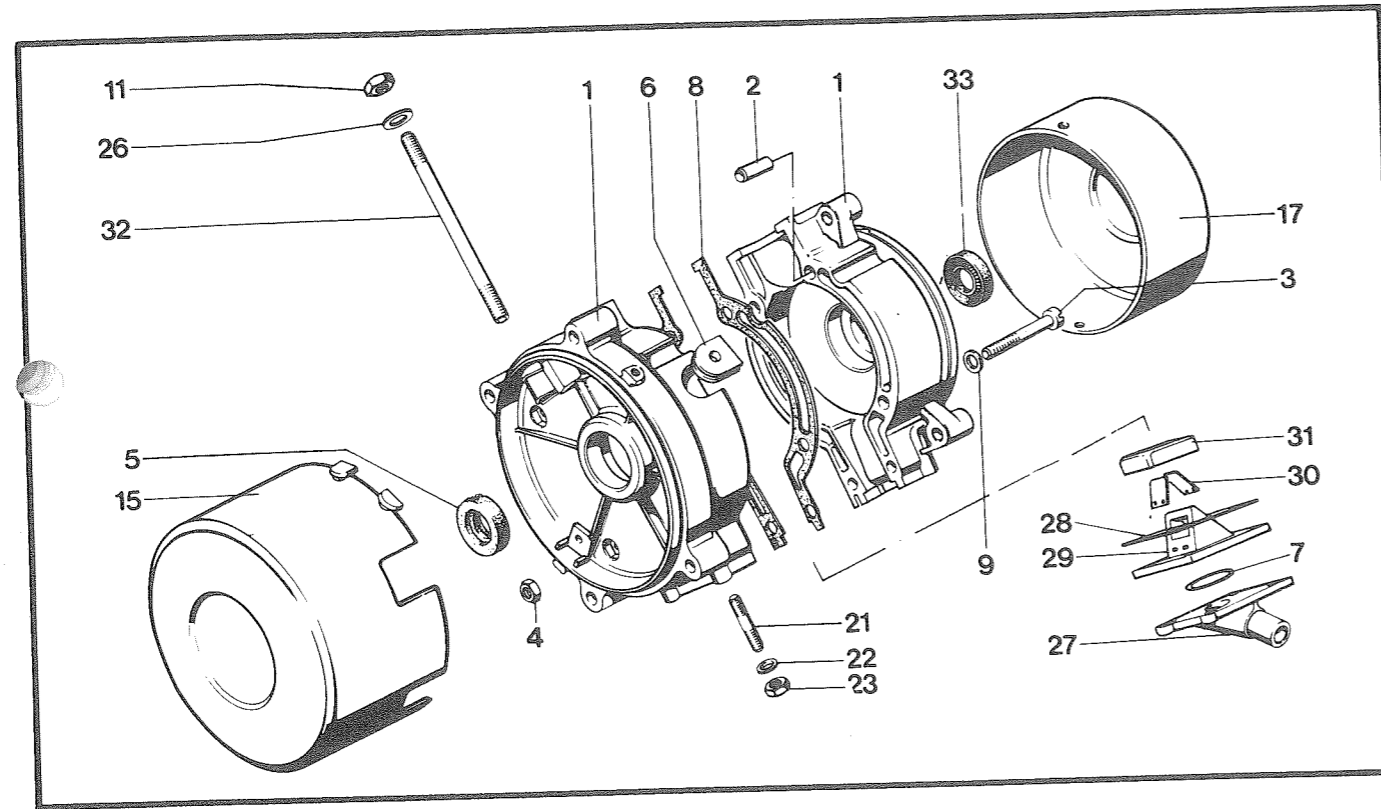
Frame — Tank — Muffler — Carrier



Item No.	Description
1	Frame complete
2	Grease nipple A6
3	Grommet
4	Fiber washer 6 x 10 x 1
5	Kickstand complete
6	Hex. screw M8 x 70
7	Hex. nut M8
8	Washer 8.4
9	Kickstand spring
10	Fuel tank finished
11	Swing fork complete
12	Spring washer B8
13	Washer 8.4
14	Hex. nut M8
15	Hex. screw M8 x 16
16	Shock absorbers
17	Felt insert 7 x 40 x 100
18	Fuel line hose 5 x 1.5 x 350
19	Fuel shut off valve with nut
20	Fiber gasket 10.5 x 14.3 x 1
21	Fuel tank cap
22	Hex. nut M10
23	Rear wheel fender
25	Hex. nut M6
26	Hex. screw M6 x 12
27	Spring washer A6
28	Washer 6.4
29	Washer 6.4
30	Muffler complete
30	Muffler complete

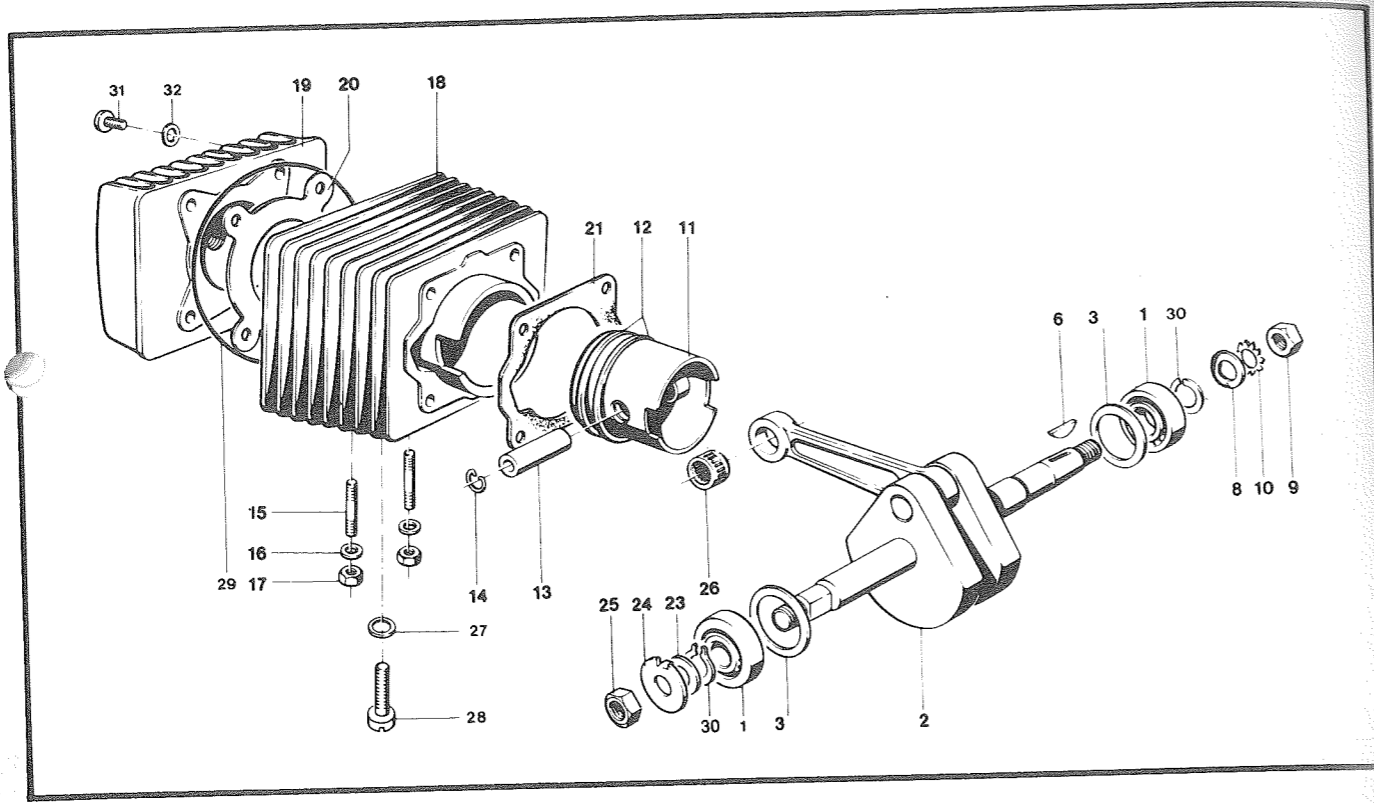
Item No.	Description	Models	Part No.								
1	Frame complete	All	73 00 507	31	Muffler rear section	All	05 52 231	78	Pawl	32/1-2	38 00 216
2	Grease nipple A6	All	00 67 112	32	Exhaust manifold	All	25 00 333			40/1-2	
3	Grommet	All	20 63 128	33	Muffler gasket	All	20 61 316			40/2-2	
4	Fiber washer 6 x 10 x 1	All	00 61 117	34	Muffler support	All	70 23 350	79	Disengaging lever complete	32/1-2	38 00 215
5	Kickstand complete	All	73 00 363	35	Fuel filter	All	25 00 322			40/1-2	
6	Hex. screw M8 x 70	All	00 12 278	37	Rubber connector	All	20 63 218			40/2-2	
7	Hex. nut M8	All	00 28 116	40	Pedal crank LH	All	73 00 131	80	Safety washer	32/1-2	00 55 171
8	Washer 8.4	All	00 30 109	41	Pedal crank with sprocket RH	All	73 00 452			40/1-2	
9	Kickstand spring	All	00 71 155	42	Pedal with reflector LH	All	73 00 167			40/2-2	
10	Fuel tank finished	All	27 00 245	43	Pedal with reflector RH	All	73 00 168	82	Rear wheeling release cable	32/1-2	73 00 516
11	Swing fork complete	All	73 00 451	44	Locking bolt 9.5mm od	All	70 32 412			40/1-2	
12	Spring washer B8	All	00 34 128	45	Bushing	All	00 53 134			40/2-2	
13	Washer 8.4	All	00 30 128	48	Spring washer A8	All	00 34 117	83	Spring	32/1-2	00 73 258
14	Hex. nut M8	All	00 20 109	49	Hex. nut M4	All	00 20 100			40/1-2	
15	Hex. screw M8 x 16	All	00 12 130	50	Foot rest	All	70 73 252			40/2-2	
16	Shock absorbers	All	73 00 340	51	Hex. screw M10 x 35	All	00 12 111	84	Friction spring	32/1-2	00 73 257
17	Felt insert 7 x 40 x 100	All	00 60 110	52	F.H. screw AM8 x 12	All	00 10 281			40/1-2	
18	Fuel line hose 5 x 1.5 x 350	All	00 64 139	53	Saddle complete	All	79 00 147	85	Hex. screw M10 x 45	All	00 12 305
19	Fuel shut off valve with nut	All	27 00 257	54	Washer 10	All	00 30 110	86	Spacer LH	All	70 31 827
20	Fiber gasket 10.5 x 14.3 x 2	All	00 61 215	55	Plate	All	70 21 198	87	Spring washer A10	All	00 34 119
21	Fuel tank cap	All	27 00 254	56	Hex. screw M8 x 16	All	00 12 130	88	Hex. screw M10 x 55	All	00 12 306
22	Hex. nut M10	All	00 20 110	57	Washer 8.4	All	00 30 109	89	Spacer RH	All	70 31 828
23	Rear wheel fender	All	73 00 508	58	Spring washer A10	All	00 34 119	90	Chain cover	All	70 43 680
25	Hex. nut M6	All	00 20 102	59	Tool box empty	All	70 73 261	92	Grommet	All	00 66 196
26	Hex. screw M6 x 12	All	00 12 157	60	F.H. screw AM4 x 10	All	00 10 119	93	Tape	All	00 66 203
27	Spring washer A6	All	00 34 114	61	Washer 4.3	All	00 30 115	94	Hex. screw M6 x 15	All	00 12 172
28	Washer 6.4	All	00 30 125	62	Hex. nut BM 10	All	00 20 132	95	Safety lock complete	All	79 00 108
29	Washer 6.4	All	00 30 100	63	Spring washer A4	All	00 34 127	96	Pedal shaft	All	70 31 786
30	Muffler complete	32/1-R	25 00 352	64	Chain tensioner complete	All	73 00 289	97	Protective clip	All	00 94 150
		40/1-R		65	Luggage carrier complete	All	70 45 489			All	00 69 295
		40/1-2	25 00 355	70	F.H. screw M6 x 13	All	00 10 147			All	00 69 296
		40/2-R		74	Bearing bushing	All	00 53 145			All	00 69 297
		40/2-2		75	Spacer	All	70 31 656			All	00 69 298
				76	Hex. screw M12 x 90	All	00 12 118			All	00 69 299
				77	Lock washer 13	All	00 35 110			All	

Engine Crankcase



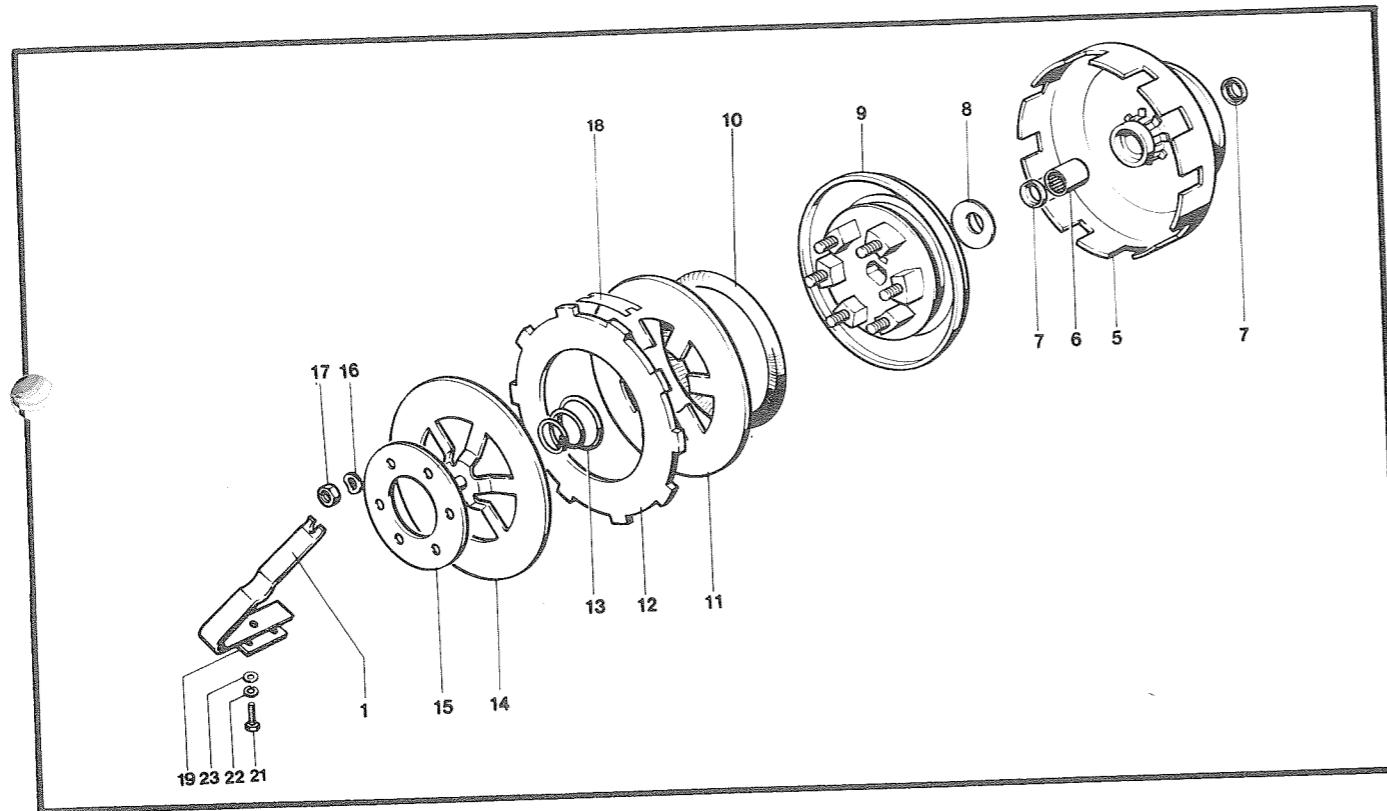
Item No.	Description	Models	Part No.		
-	Engine complete	32/1-R	20 00 266	15	Cover -- clutch
		32/1-2	20 00 270		
		40/1-R	20 00 267		
		40/1-2	20 00 271	15	Cover -- clutch
		40/2-R	20 00 267		
		40/2-2	20 00 271		
1	Crankcase complete (includes Item 2)	32/1-R	21 00 300	17	Cover -- ignition
		32/1-2	21 00 321	21	Stud screw M5 x 15
		40/1-R	21 00 301	22	Spring washer B5
		40/1-2	21 00 322	23	Hex. nut M5
		40/2-R	21 00 301	26	Washer
		40/2-2	21 00 322	27	Carburator flange
2	Crankcase pin	All	00 42 208	28	Carburator flange gasket
3	F.H. screw M6 x 50	All	00 10 161	29	Reed valve housing
4	Hex. nut M6	All	00 20 102	30	Reed valve
5	Crankshaft seal 26 x 35 x 7	All	00 54 203	31	Positioner
6	Ignition cable grommet	All	00 66 217	32	Stud screw
7	O-ring	All	00 62 112	33	Crankshaft seal 15 x 35 x 7
8	Crankcase gasket	All	20 61 334	-	Decal 32/1
9	Spring washer B6	All	00 34 107	-	Decal 40/1
11	Hex. nut M6	All	00 20 169	-	Decal 40/2
				-	Decal SOLO

Crankshaft — Piston — Cylinder



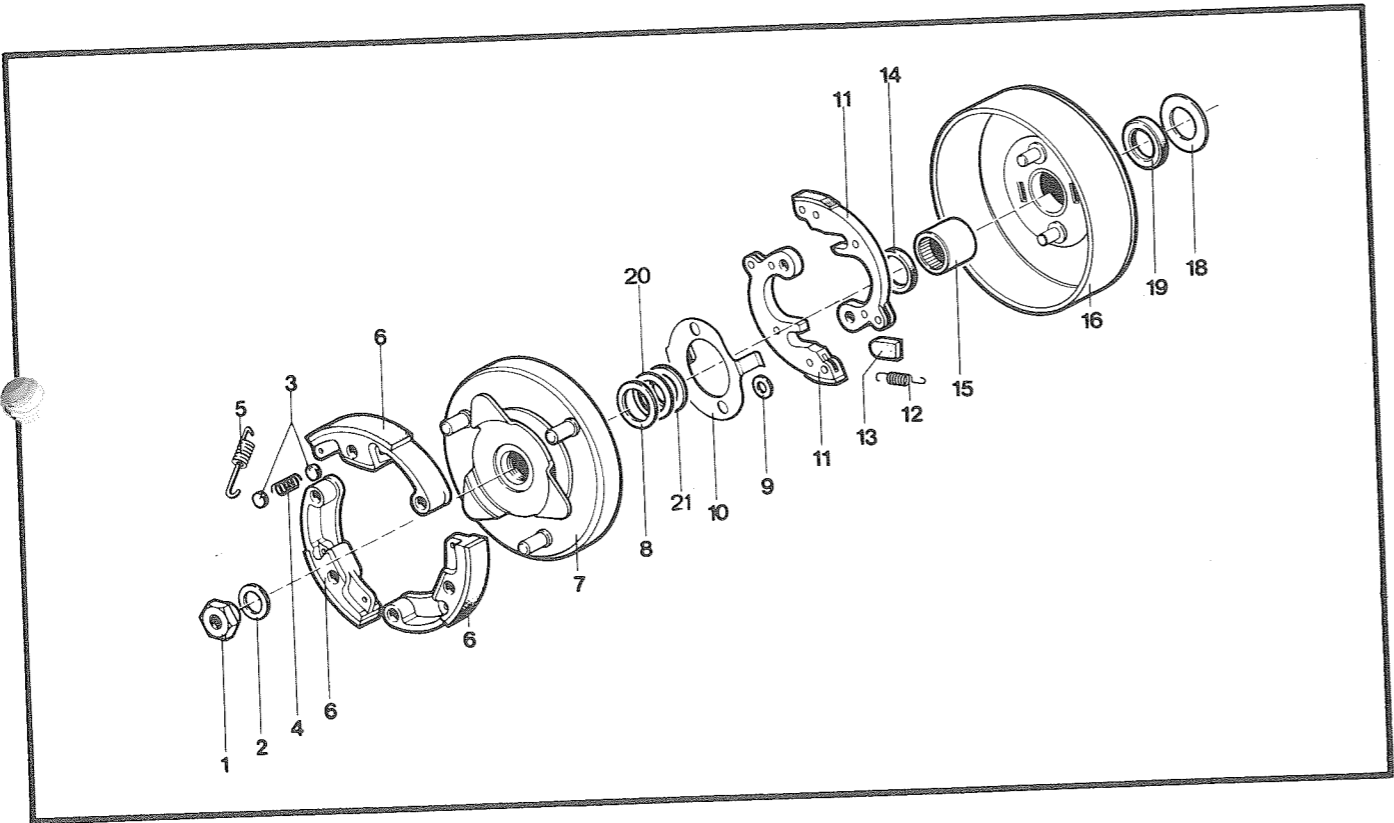
Item No.	Description	Models	Part No.
1	Ball-bearing 15 x 35 x 11	All	00 50 102
2	Crankshaft	32/1-R 40/1-R 40/2-R	22 00 641
2	Crankshaft	32/1-2 40/1-2 40/2-2	22 00 657
3	Spacing washer 15.3 x 22 x 0.5	All	00 31 375
6	Woodruff key 3 x 3.7	All	00 75 101
8	Washer 8.4	All	00 30 144
9	Hex. nut M8 LH thread	All	00 20 161
10	Crown washer 8	All	00 34 115
11	Piston complete "N" (includes Item 12)	All	22 00 593
11	Piston complet "U" (includes Item 12)	All	22 00 600
12	Piston ring "N"	All	20 48 227
12	Piston ring "U"	All	20 48 249
13	Piston pin 10 x 6 x 32	All	20 31 238
14	Circlip A10	All	00 55 144
15	Stud screw	All	00 15 201
16	Washer 6.4	All	00 30 100
17	Hex. nut M6 THERMAC	All	00 28 100
18	Cylinder complete "N"	32/1-R 40/1-R	22 00 595
18	Cylinder complete "N"	40/1-2 40/2-R	22 00 594
18	Cylinder complete "U"	32/1-R 32/1-2 40/1-R 40/2-R	22 00 603
18	Cylinder complete "U"	40/1-2 40/2-2	22 00 604
19	Cylinder head	32/1-R 32/1-2	20 00 601
19	Cylinder head	40/1-R 40/1-2 40/2-R 40/2-2	20 00 602
20	Cylinder head gasket	All	20 61 337
21	Cylinder foot gasket	All	20 61 346
23	Friction washer	32/1-R 40/1-R 40/2-R	00 31 100
24	Safety washer 10.5	32/1-R 40/1-R 40/2-R	00 35 134
25	Hex. nut M10 x 1	32/1-R 40/1-R 40/2-R	00 20 107
26	Needle bearing 10 x 14 x 3	All	00 52 186
27	Seal 5 x 9 x 1	All	00 61 255
28	F.H. screw M5 x 15	All	00 10 266
29	O-ring 101.27 x 2.62	All	00 62 159
30	Safety washer 35	All	00 55 106
31	Locking screw M10 x 1	All	00 16 126
32	Seal 10 x 14	All	00 61 210

Disk Clutch



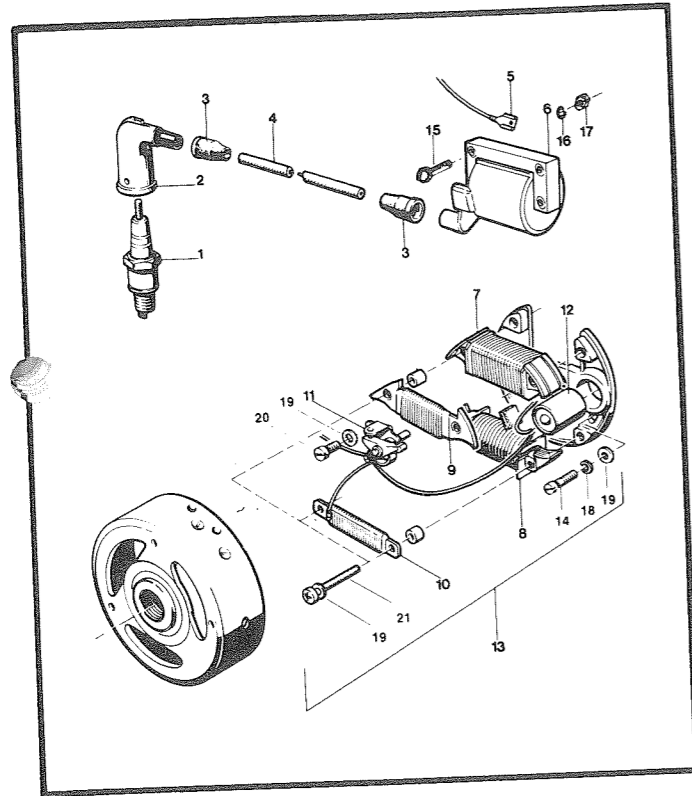
Item No.	Description	Models	Part No.
1	Spring bracket complete		30 23 313
5	Clutch drum complete (includes Items 6 & 7)		35 00 286
6	Needle bearing 15 x 21 x 12		00 52 104
7	Gasket 15 x 21 x 3		00 54 195
8	Spring 28 x 12.2 x 1		00 72 124
9	Clutch hub complete		35 00 220
10	Tension spring complete		35 00 232
11	Steel disk		30 41 322
12	Clutch disk	32/1-R	30 76 123
13	Pressure spring	40/1-R	00 70 194
14	Clutch plate	40/2-R	35 00 219
15	End plate		30 42 315
16	Spring washer B5		00 34 103
17	Hex. nut M5		00 20 101
18	Damping spring		00 73 230
19	Retaining plate		70 43 856
21	Hex. screw M5 x 18		00 12 164
22	Spring washer A5		00 34 147
23	Washer 5.3		00 30 108

Automatic Starter Clutch



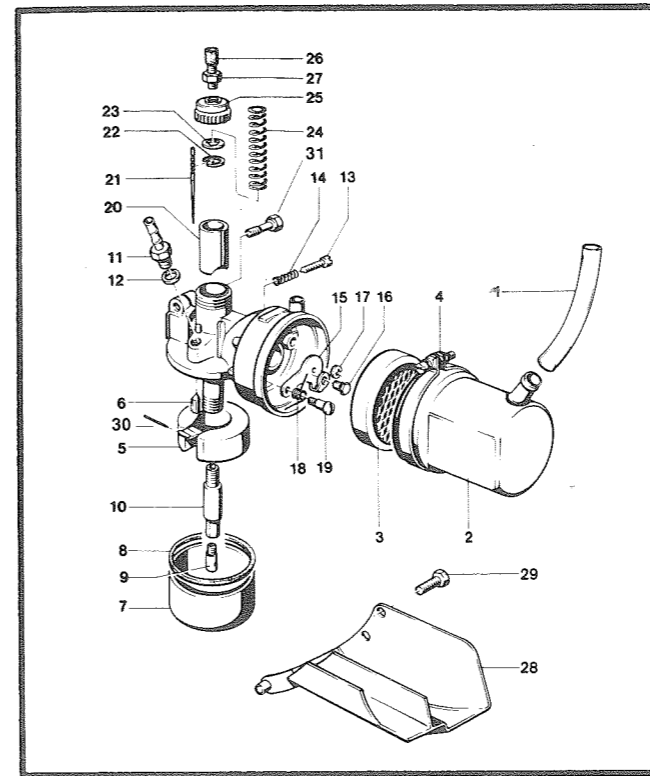
Item No.	Description	Models	Part No.
1	Hex. nut		00 21 198
2	Washer 14		00 34 142
3	Friction disk		20 74 619
4	Pressure spring		00 70 208
5	Drive clutch spring		00 71 168
6	Drive clutch shoe		35 00 256
7	Clutch hub complete		35 00 255
8	Washer 19 x 26 x 1		00 31 337
9	Friction disk		20 74 626
10	Friction plate	32/1-2	00 73 236
11	Starter clutch shoe	40/1-2	26 00 159
12	Starter clutch spring	40/2-2	00 71 169
13	Damping piece		00 94 161
14	Oil seal BA 12 x 22 x 7		00 54 202
15	Needle bearing 15 x 21 x 22		00 52 193
16	Clutch drum complete (includes Items 14, 15)		35 00 258
18	Friction washer		00 31 336
19	Oil seal BA 26 x 35 x 7		00 54 203
20	Spacing washer		00 31 385
21	Washer		00 31 386

Ignition System



Item No.	Description	Models	Part No.
1	Spark plug W175	32/1-R	23 00 101
1	Spark plug W225	32/1-2 40/1-R 40/1-2 40/2-R 40/2-2	23 00 103
2	Spark plug connector	All	00 84 100
3	Protective cap	All	00 84 203
4	Ignition cable 7 x 300mm	All	00 84 201
5	Ground cable	All	00 84 340
6	Ignition coil, outer	All	23 00 302
7	Ignition coil, inner	(Bosch No. 0212940001) All	05 20 148
8	Lighting coil III (22W Headlight & Speedometer light)	(Bosch No. 1214210069) All	05 20 149
9	Lighting coil II (10W Brakelight)	All	05 20 151
10	Lighting Coil I (5W Taillight)	(Bosch No. 1214210492) All	05 20 150
11	Breaker point	(Bosch No. 1214210460) All	05 20 146
12	Condensor	(Bosch No. 1217013021) All	05 20 147
13	Ignition assembly complete 6V/37W	(Bosch No. 1237330037) All	23 00 395
14	F.H. screw AM4 x 16	(Bosch No. 0212124039) All	00 10 293
15	Hex. screw M5 x 25	All	00 12 113
16	Spring washer 5	All	00 34 147
17	Hex. nut M5	All	00 20 101
18	Spring washer 4	All	00 34 156
19	Washer 4.3	All	00 30 101
20	F.H. screw M4x30	All	00 10 119
21	F.H. screw M4x30	All	00 10 268

Carburetor



Item No.	Description	Models	Part No.
-	Carburetor 1/10/112	All	23 00 341
1	Vinyl tubing 14 x 2 x 135	All	00 64 302
2	Intake silencer	All	20 74 597
3	Air filter insert	All	25 00 328
4	Intake silencer clamp	All	00 66 132
5	Float	All	05 10 658
6	Inlet needle	All	05 10 657
7	Bowl	All	05 10 115
8	Gasket	All	05 10 218
9	Main jet size 54	All	05 10 130
9	Main jet size 56	All	05 10 131
9	Main jet size 58 (standard)	All	05 10 132
9	Main jet size 60	All	05 10 133
10	Main jet seat	All	05 10 460
11	Fuel line nipple	All	05 10 111
12	Gasket	All	05 10 217
13	Adjusting screw	All	05 10 461
14	Spring	All	05 10 462
15	Choke	All	05 10 463
16	Stud	All	05 10 464
17	Safety washer	All	05 10 465
18	Torsion spring	All	05 10 466
19	Screw	All	05 10 467
20	Carburetor slide	All	05 10 468
21	Metering needle	All	05 10 469
22	Needle holder	All	05 10 470
23	Washer	All	05 10 471
24	Slide spring	All	05 10 472
25	Cover	All	05 10 473
26	Cable adjuster	All	05 10 185
27	Nut	All	05 10 127
28	Carburetor cover	All	20 74 618
29	Taptite screw M6 x 12	All	00 18 181
30	Float hinge pin	All	05 10 189
31	Clamping screw	All	05 10 458

Accessories — Supplies — Special Tools

Item No.	Description	Models	Part No.
ACCESSORIES			
—	Tire pump	All	79 00 115
—	Spark plug wrench	All	79 00 219
—	Spark plug brush	All	00 80 107
—	Double end wrench 8 x 9	All	00 80 263
—	Double end wrench 10 x 11	All	00 80 361
—	Double end wrench 13 x 15	All	00 80 362
—	Screw driver	All	00 80 440
—	Elastic luggage carrier strap	All	79 00 191
SUPPLIES			
—	Two gear automatic transmission oil (100 cu. cm.)	32/1-2 40/1-2 40/2-2	06 10 350

SPECIAL TOOLS

—	Top dead center tester	All	00 80 162
—	Electric ignition tester	All	00 80 181
—	Oil seal punch	All	00 80 351
—	Oil seal punch	All	00 80 135
—	Flywheel wrench	All	00 80 248
—	Disk clutch wrench	32/1-R 40/1-R 40/2-R	00 80 368
—	Flywheel puller	All	00 80 165
—	Wrist pin punch	All	00 80 292
—	Piston pin stop	All	00 80 271
—	Automatic starter clutch puller	32/1-2 40/1-2 40/2-2	00 80 375
—	Two gear automatic transmission oil seal punch	32/1-2 40/1-2 40/2-2	00 80 444
—	Two gear automatic transmission shipping shaft	32/1-2 40/1-2 40/2-2	30 35 815

Part Number Cross Index

00 10 108	Engine Bracket (29)	00 16 126	Crankshaft (31)	00 30 108	Disk Clutch (23)
00 10 119	Frame (60)	00 18 181	Carburator (29)	00 30 109	Front Fork (21)
00 10 143	Ignition (20)	00 20 101	Engine Crankcase (23)		Frame (8)
	Controls — Reg. Trans. (2)		Disk Clutch (17)		Frame (57)
	Controls — Reg. Trans. (33)		Ignition (17)		Engine Bracket (3)
00 10 147	Frame (70)	00 20 102	Frame (25)	00 30 110	Frame (54)
00 10 161	Engine Crankcase (3)		Engine Crankcase (4)	00 30 115	Frame (61)
00 10 177	Controls — Reg. Trans. (22)	00 20 106	Frame (49)	00 30 125	Frame (28)
00 10 221	Controls — Reg. Trans. (32)		Controls — Reg. Trans. (54)		Controls — Reg. Trans. (3)
00 10 266	Crankshaft (28)	00 20 107	Crankshaft (25)	00 30 128	Front Fork (38)
00 10 268	Ignition (21)	00 20 109	Frame (14)		Frame (13)
00 10 282	Frame (52)		Engine Bracket (5)	00 30 144	Crankshaft (8)
00 10 293	Ignition (14)	00 20 110	Frame (22)	00 31 226	Two Gear Trans. (4)
00 10 294	Two Gear Trans. (17)	00 20 132	Frame (62)	00 31 273	Front Wheel (10)
00 12 113	Ignition (15)	00 20 161	Crankshaft (9)		Rear Wheel (5)
00 12 116	Frame (51)	00 20 165	Front Wheel (9)	00 31 274	Front Fork (35)
00 12 118	Frame (76)		Rear Wheel (4)	00 31 280	Engine Bracket (16)
00 12 126	Controls — Reg. Trans. (52)	00 20 169	Engine Bracket (12)	00 31 292	Engine Crankcase (26)
00 12 130	Front Fork (20)		Engine Crankcase (11)	00 31 296	Front Fork (24)
	Frame (15)	00 21 179	Front Fork (23)	00 31 320	Front Wheel (22)
	Frame (56)	00 21 194	Front Wheel (23)		Rear Wheel (10)
00 12 154	Engine Bracket (39)		Rear Wheel (9)	00 31 329	Engine Bracket (24)
00 12 157	Frame (26)	00 21 195	Front Wheel (11)	00 31 336	Crankshaft (23)
00 12 164	Disk Clutch (21)		Rear Wheel (21)		Auto. Starter Clutch (18)
00 12 172	Frame (94)	00 21 198	Auto. Starter Clutch (1)	00 31 337	Auto. Starter Clutch (8)
	Controls — Reg. Trans. (26)	00 28 100	Crankshaft (17)	00 31 348	Two Gear Trans. (16)
00 12 175	Rear Wheel (33)	00 28 111	Controls — Reg. Trans. (4)	00 31 351	Engine Bracket (34)
00 12 278	Frame (6)		Controls — Reg. Trans. (35)		Two Gear Trans. (18)
	Engine Bracket (2)	00 28 116	Frame (7)	00 31 353	Two Gear Trans. (27)
00 12 301	Engine Bracket (8)	00 28 178	Engine Bracket (28)	00 31 375	Crankshaft (3)
00 12 305	Frame (85)	00 30 100	Frame (29)	00 31 386	Auto. Starter Clutch (21)
00 12 306	Frame (88)		Controls — Reg. Trans. (34)	00 33 193	Engine Bracket (38)
00 13 195	Engine Bracket (27)		Engine Bracket (10)	00 34 103	Engine Crankcase (22)
00 15 158	Engine Crankcase (21)		Crankshaft (16)		Disk Clutch (16)
00 15 201	Crankshaft (15)	00 30 101	Ignition (19)	00 34 107	Engine Crankcase (9)
00 15 226	Engine Crankcase (32)				

00 34 114	Frame (27)	00 54 207	Auto. Starter Clutch (19)	00 69 286	Engine Crankcase (-)
	Controls - Reg. Trans. (27)	00 54 208	Two Gear Trans. (9)	00 69 295	Frame (-)
	Engine Bracket (11)	00 55 102	Two Gear Trans. (25)	00 69 296	Frame (-)
00 34 115	Crankshaft (10)	00 55 106	Crankshaft (30)	00 69 297	Frame (-)
00 34 117	Frame (48)	00 55 130	Two Gear Trans. (5)	00 69 298	Frame (-)
	Engine Bracket (4)	00 55 144	Crankshaft (14)	00 69 308	Engine Crankcase (-)
00 34 119	Frame (58)	00 55 159	Two Gear Trans. (11)	00 69 309	Engine Crankcase (-)
	Frame (87)	00 55 171	Frame (80)	00 69 310	Controls - Two Gear Trans. (-)
	Frame (63)	00 57 176	Engine Bracket (17)	00 70 194	Disk Clutch (13)
00 34 127	Controls - Reg. Trans. (53)		Two Gear Trans. (31)	00 70 208	Auto. Starter Clutch (4)
	Frame (12)	00 60 110	Frame (17)	00 70 210	Front Fork (13)
00 34 128	Auto. Starter Clutch (2)	00 61 117	Frame (4)	00 71 155	Frame (9)
00 34 142	Disk Clutch (22)	00 61 210	Crankshaft (32)	00 71 164	Front Wheel (15)
00 34 147	Ignition (16)	00 61 215	Frame (20)		Rear Wheel (20)
	Ignition (18)	00 61 226	Engine Bracket (30)	00 71 168	Auto. Starter Clutch (5)
00 34 156	Frame (77)	00 61 240	Engine Bracket (22)	00 71 169	Controls - Reg. Trans. (12)
00 35 110	Crankshaft (24)	00 61 241	Engine Bracket (22)	00 71 173	Two Gear Trans. (6)
35 134	Engine Crankcase (2)	00 61 255	Crankshaft (27)	00 72 124	Disk Clutch (8)
42 208	Rear Wheel (-)	00 61 265	Engine Bracket (22)	00 73 230	Disk Clutch (18)
00 44 191	Crankshaft (1)	00 62 112	Engine Crankcase (7)	00 73 236	Auto. Starter Clutch (10)
00 50 102	Two Gear Trans. (8)	00 62 116	Two Gear Trans. (30)	00 73 242	Two Gear Trans. (21)
00 50 140	Front Fork (31)	00 62 159	Crankshaft (29)	00 73 257	Frame (84)
00 51 103	Disk Clutch (6)	00 62 168	Two Gear Trans. (28)	00 73 258	Frame (83)
00 52 104	Front Wheel (19)	00 64 139	Frame (18)	00 75 101	Crankshaft (6)
00 52 119	Rear Wheel (15)	00 64 280	Controls - Reg. Trans. (48)	00 80 107	Accessories (-)
00 52 134	Two Gear Trans. (26)	00 64 302	Carburator (1)	00 80 135	Accessories (-)
00 52 178	Crankshaft (26)	00 66 132	Carburator (4)	00 80 162	Accessories (-)
00 52 186	Auto. Starter Clutch (15)	00 66 196	Frame (92)	00 80 165	Accessories (-)
00 52 193	Two Gear Trans. (14)	00 66 203	Frame (93)	00 80 181	Accessories (-)
00 52 202	Engine Bracket (31)		Controls - Reg. Trans. (8)	00 80 248	Accessories (-)
00 52 207	Frame (45)	00 66 217	Engine Crankcase (6)	00 80 263	Accessories (-)
00 53 134	Frame (74)	00 66 231	Controls - Reg. Trans. (12)	00 80 271	Accessories (-)
00 53 145	Engine Crankcase (33)	00 66 286	Front Fork (37)	00 80 351	Accessories (-)
00 54 128	Disk Clutch (7)	00 66 297	Controls - Reg. Trans. (16)	00 80 361	Accessories (-)
00 54 195	Auto. Starter Clutch (14)	00 67 112	Frame (2)	00 80 362	Accessories (-)
00 54 202	Auto. Starter Clutch (5)				
00 54 203	Engine Crankcase (5)				

00 80 368	Accessories (-)	00 94 161	Auto. Starter Clutch (13)	05 52 199	Front Wheel (12)
00 80 375	Accessories (-)	00 94 173	Controls - Reg. Trans. (14)		Rear Wheel (18)
00 80 440	Accessories (-)	05 10 115	Carburator (7)	05 52 201	Rear Wheel (36)
00 80 444	Accessories (-)	05 10 127	Carburator (27)	05 52 207	Rear Wheel (23)
00 84 100	Ignition (2)	05 10 130	Carburator (9)	05 52 220	Front Wheel (20)
00 84 126	Controls - Reg. Trans. (46)	05 10 131	Carburator (9)	05 52 231	Frame (31)
00 84 201	Ignition (4)	05 10 132	Carburator (9)	05 52 253	Controls - Reg. Trans. (21)
00 84 203	Ignition (3)	05 10 133	Carburator (9)	05 52 254	Controls - Reg. Trans. (23)
00 84 340	Ignition (5)	05 10 185	Carburator (26)	05 52 255	Controls - Reg. Trans. (24)
00 84 362	Controls - Reg. Trans. (1)	05 10 188	Carburator (11)	06 10 350	Accessories (-)
00 84 363	Controls - Reg. Trans. (17)	05 10 189	Carburator (30)	20 00 266	Engine Crankcase (-)
00 84 364	Controls - Reg. Trans. (19)	05 10 216	Carburator (12)	20 00 267	Engine Crankcase (-)
00 84 365	Controls - Reg. Trans. (30)	05 10 218	Carburator (8)	20 00 270	Engine Crankcase (-)
00 84 366	Controls - Reg. Trans. (31)	05 10 458	Carburator (31)	20 00 271	Engine Crankcase (-)
00 84 367	Controls - Reg. Trans. (28)	05 10 460	Carburator (10)	20 12 448	Engine Crankcase (27)
00 84 368	Controls - Reg. Trans. (36)	05 10 461	Carburator (13)	20 31 238	Crankshaft (13)
00 84 369	Controls - Reg. Trans. (37)	05 10 462	Carburator (14)	20 42 289	Engine Crankcase (30)
00 84 370	Controls - Reg. Trans. (38)	05 10 463	Carburator (15)	20 45 455	Engine Crankcase (15)
00 84 371	Controls - Reg. Trans. (5)	05 10 464	Carburator (16)		Engine Crankcase (17)
00 84 372	Controls - Reg. Trans. (25)	05 10 465	Carburator (17)	20 45 460	Engine Crankcase (15)
	Controls - Reg. Trans. (47)	05 10 466	Carburator (18)	20 48 227	Crankshaft (12)
00 84 373	Controls - Reg. Trans. (20)	05 10 467	Carburator (19)	20 48 249	Crankshaft (12)
00 91 108	Front Wheel (4)	05 10 468	Carburator (20)	20 61 284	Crankcase (28)
	Rear Wheel (29)	05 10 469	Carburator (21)	20 61 316	Frame (33)
	Front Wheel (5)	05 10 470	Carburator (22)	20 61 334	Engine Crankcase (8)
	Rear Wheel (30)	05 10 471	Carburator (23)	20 61 337	Crankshaft (20)
00 92 131	Front Wheel (6)	05 10 472	Carburator (24)	20 61 346	Crankshaft (21)
	Rear Wheel (31)	05 10 473	Carburator (25)	20 63 128	Frame (3)
00 92 133	Front Wheel (7)	05 10 657	Carburator (6)	20 63 163	Engine Crankcase (31)
	Rear Wheel (32)	05 10 658	Carburator (5)	20 63 218	Frame (37)
00 93 103	Front Wheel (2)	05 20 146	Ignition (11)	20 74 525	Engine Crankcase (29)
	Rear Wheel (26)	05 20 147	Ignition (12)	20 74 597	Carburator (2)
00 93 111	Rear Wheel (28)	05 20 148	Ignition (7)	20 74 618	Carburator (28)
00 93 112	Front Wheel (3)	05 20 149	Ignition (8)	20 74 619	Auto. Starter Clutch (3)
	Rear Wheel (26)	05 20 150	Ignition (10)	20 74 626	Auto. Starter Clutch (9)
00 94 150	Frame (97)	05 20 151	Ignition (9)		

21 00 300	Engine Crankcase (1)	30 31 769	Two Gear Trans. (23)	38 00 222	Controls — Reg. Trans. (41)	70 45 436	Rear Wheel (13)	73 00 508	Frame (23)
21 00 301	Engine Crankcase (1)	30 31 783	Two Gear Trans. (19)	40 74 239	Two Gear Trans. (29)	70 45 489	Frame (65)	73 00 509	Front Wheel (1)
21 00 321	Engine Crankcase (1)	30 35 815	Accessories (—)	70 21 198	Frame (55)	70 63 228	Front Wheel (25)	73 00 510	Front Wheel (1)
21 00 322	Engine Crankcase (1)	30 38 300	Two Gear Trans. (10)	70 23 343	Controls — Reg. Trans. (10)		Rear Wheel (34)	73 00 511	Front Wheel (13)
22 00 593	Crankshaft (11)	30 38 301	Two Gear Trans. (10)	70 23 350	Frame (34)	70 65 165	Front Fork (11)	73 00 512	Rear Wheel (1)
22 00 594	Crankshaft (18)	30 38 302	Two Gear Trans. (13)	70 31 656	Frame (75)	70 73 237	Engine Bracket (33)	73 00 513	Rear Wheel (1)
22 00 595	Crankshaft (18)	30 38 304	Two Gear Trans. (2)	70 31 689	Rear Wheel (24)	70 73 252	Frame (50)	73 00 514	Rear Wheel (2)
22 00 600	Crankshaft (11)	30 38 305	Two Gear Trans. (15)	70 31 786	Frame (96)	70 73 261	Frame (59)	73 00 516	Frame (82)
22 00 601	Crankshaft (19)	30 38 305	Two Gear Trans. (12)	70 31 789	Engine Bracket (37)	70 74 592	Engine Bracket (23)		[Controls — Two Gear Trans. (58)]
22 00 602	Crankshaft (19)	30 38 311	Two Gear Trans. (10)	70 31 827	Frame (86)	70 74 669	Front Wheel (24)	73 00 543	Rear Wheel (2)
22 00 603	Crankshaft (18)	30 38 312	Disk Clutch (11)	70 31 828	Frame (89)	73 00 131	Frame (40)	73 00 544	Rear Wheel (1)
22 00 604	Crankshaft (18)	30 41 322	Disk Clutch (15)	70 32 397	Front Wheel (16)	73 00 135	Rear Wheel (8)	73 00 545	Rear Wheel (1)
22 00 641	Crankshaft (2)	30 42 315	Two Gear Trans. (22)	70 32 398	Rear Wheel (12)	73 00 138	Rear Wheel (7)	78 00 144	Controls — Reg. Trans. (11)
22 00 657	Crankshaft (2)	30 74 668	Disk Clutch (12)	70 32 399	Front Wheel (8)	73 00 156	Rear Wheel (17)	78 00 145	Controls — Two Gear Trans. (56)
23 00 101	Ignition (1)	30 76 123	Two Gear Trans. (7)	70 32 412	Rear Wheel (3)	73 00 157	Rear Wheel (11)	78 00 157	Controls — Reg. Trans. (13)
23 00 103	Ignition (1)	31 00 178	Engine Bracket (26)	70 35 574	Frame (44)	73 00 167	Frame (42)	78 00 158	Controls — Two Gear Trans. (55)
00 302	Ignition (6)	34 00 141	Engine Bracket (13)	70 35 596	Front Fork (18)	73 00 168	Frame (43)	79 00 105	Controls — Reg. Trans. (9)
		34 00 142		70 38 296	Front Fork (17)	73 00 173	Roller Chain (16)	79 00 107	Front Fork (25)
				70 38 296	Rear Wheel (35)	73 00 185	Controls — Reg. Trans. (42)	79 00 108	Frame (95)
23 00 341	Carburator (—)	34 00 146	Engine Bracket (26)	70 38 314	Rear Wheel (35)	73 00 186	Controls — Reg. Trans. (43)	79 00 115	Accessories (—)
23 00 395	Ignition (13)	34 00 156	Engine Bracket (26)	70 43 575	Rear Wheel (25)	73 00 289	Frame (64)	79 00 147	Frame (53)
25 00 322	Frame (35)	34 00 157	Engine Bracket (13)	70 43 576	Rear Wheel (6)	73 00 322	Rear Wheel (22)	79 00 191	Accessories (—)
25 00 328	Carburator (3)	34 00 161	Engine Bracket (13)	70 43 621	Rear Wheel (—)	73 00 324	Front Wheel (14)	79 00 207	Controls — Reg. Trans. (15)
25 00 333	Frame (32)	35 00 219	Disk Clutch (14)	70 43 680	Frame (90)		Rear Wheel (19)	79 00 208	Controls — Reg. Trans. (18)
25 00 352	Frame (30)	35 00 220	Disk Clutch (9)	70 43 716	Rear Wheel (—)	73 00 328	Front Fork (4)	79 00 209	Controls — Reg. Trans. (29)
25 00 355	Frame (30)	35 00 232	Disk Clutch (10)	70 43 725	Engine Bracket (32)	73 00 329	Front Fork (5)	79 00 210	Controls — Reg. Trans. (51)
26 00 159	Auto. Starter Clutch (11)	35 00 248	Engine Bracket (25)	70 43 746	Front Fork (19)	73 00 331	Front Fork (2)	79 00 211	Controls — Reg. Trans. (44)
27 00 245	Frame (10)	35 00 255	Auto. Starter Clutch (7)	70 43 856	Disk Clutch (19)	73 00 340	Frame (16)	79 00 212	Controls — Reg. Trans. (45)
27 00 254	Frame (20)	35 00 256	Auto. Starter Clutch (6)	70 45 372	Auto. Starter Clutch (16)	73 00 353	Rear Wheel (16)	79 00 214	Controls — Reg. Trans. (6)
27 00 257	Frame (19)	35 00 258	Auto. Starter Clutch (16)	70 45 373	Two Gear Trans. (24)	73 00 363	Frame (5)	79 00 215	Controls — Reg. Trans. (7)
28 00 165	Engine Bracket (1)	35 00 270	Two Gear Trans. (24)	70 45 374	Two Gear Trans. (1)	73 00 451	Frame (11)	79 00 219	Accessories (—)
28 00 197	Controls — Reg. Trans. (39)	35 00 271	Two Gear Trans. (1)	70 45 375	Two Gear Trans. (20)	73 00 452	Frame (41)		
28 00 198	Controls — Reg. Trans. (40)	35 00 280	Two Gear Trans. (20)	70 45 433	Disk Clutch (5)	73 00 455	Engine Bracket (6)		
28 00 206	Controls — Two Gear Trans. (57)	35 00 286	Disk Clutch (5)	70 45 434	Frame (79)	73 00 484	Rear Wheel (7)		
30 00 170	Two Gear Trans. (—)	38 00 215	Frame (79)	70 45 435	Frame (78)	73 00 502	Front Fork (1)		
30 23 313	Disk Clutch (1)	38 00 216	Frame (78)			73 00 507	Frame (1)		

The ODYSSEY Company
Mill Pond Center
Cos Cob, Conn. 06807